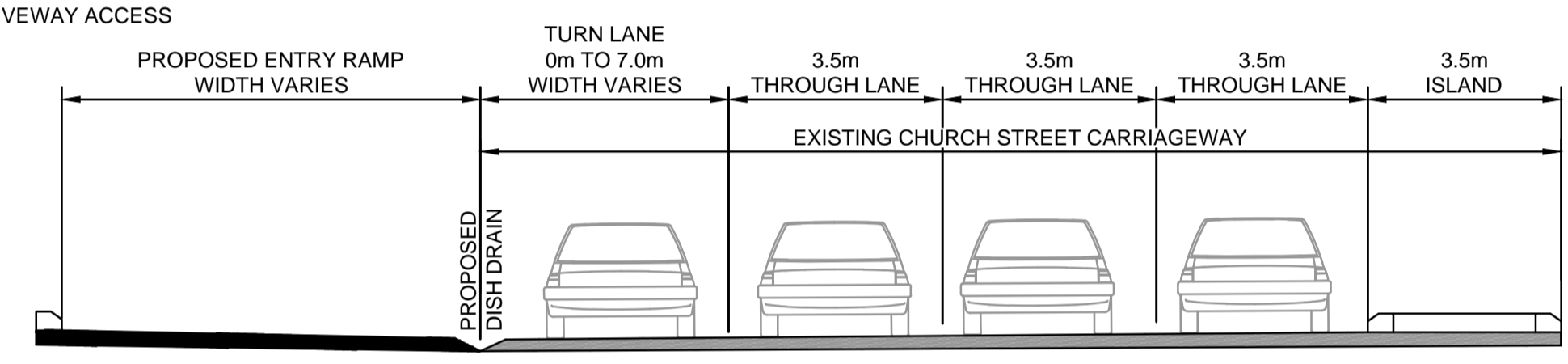
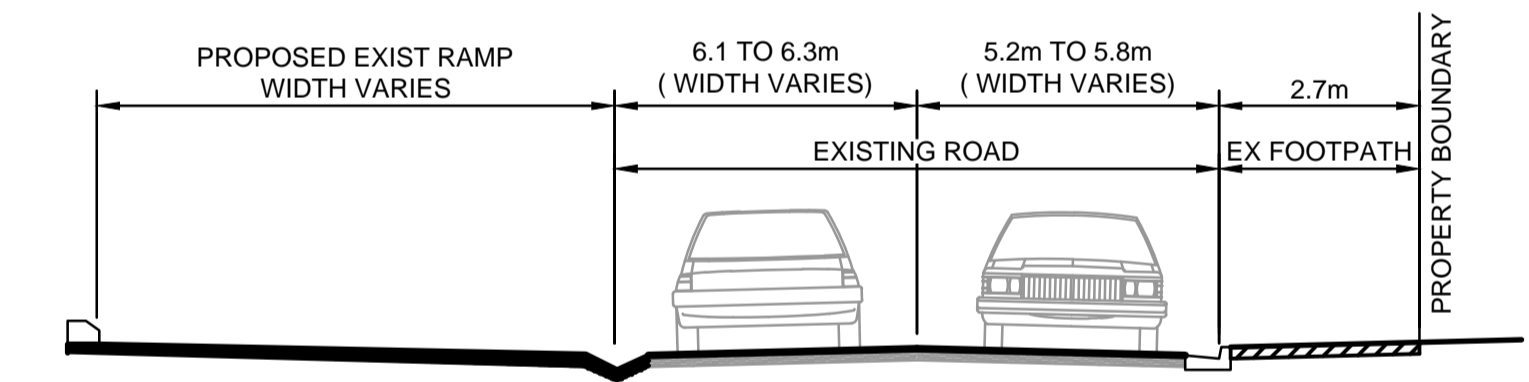


LEGEND

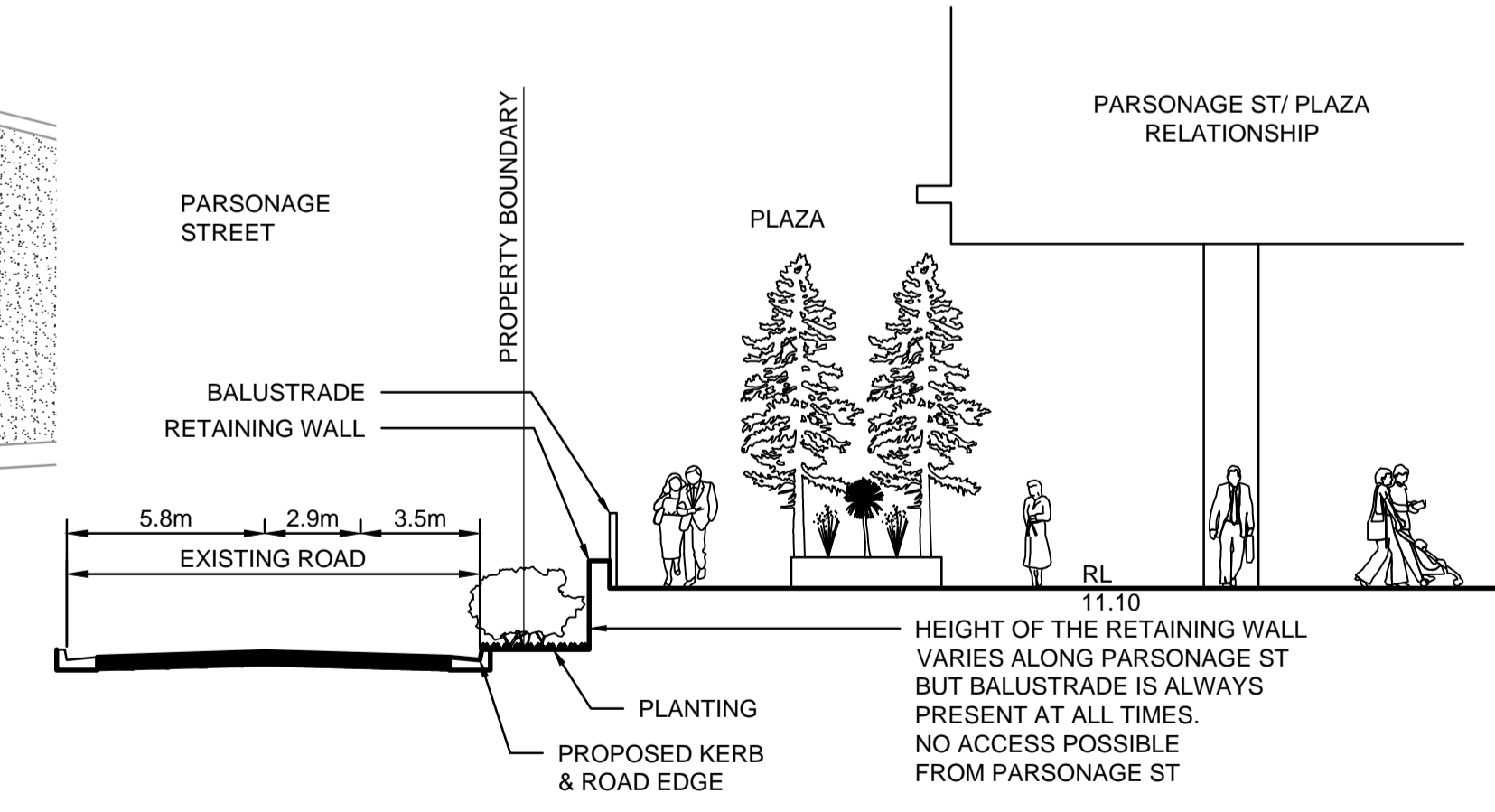
- PROPOSED KERB
- CL - - - CL PROPOSED CONTINUITY LINE
- EL - - - EL PROPOSED EDGE LINE
- GW - - - GW PROPOSED GIVEWAY LINE
- ULL - - - ULL PROPOSED UNBROKEN LANE LINE
- ELL - - - ELL EXISTING LANE LINE
- ECL - - - ECL EXISTING CONTINUITY LINE
- EEL - - - EEL EXISTING EDGE LINE
- XXX XXX EXISTING KERB TO BE REMOVED
- PROPOSED ROAD PAVEMENT
- ▨ EXISTING ROAD
- ▩ EXISTING CONCRETE ISLAND
- ▧ PROPOSED CONCRETE ISLAND OR FOOTPATH



TYPICAL SECTION THROUGH CHURCH STREET PROPOSED DRIVEWAY ENTRANCE
N.T.S.



TYPICAL SECTION THROUGH WELL STREET PROPOSED DRIVEWAY EXIT
N.T.S.



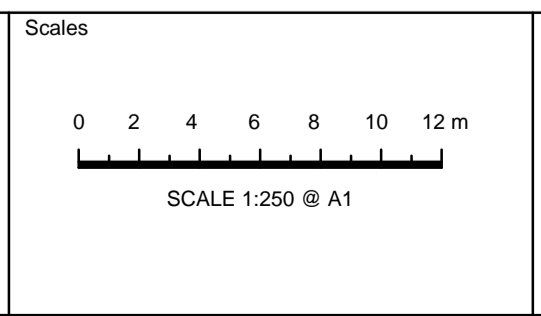
PARSONAGE STREET TYPICAL SECTION
N.T.S.

NOT FOR CONSTRUCTION

Issue	Description	Date	Drawn	Design
C	RMS COMMENTS	12/07/2016	AJB	JAB
B	DISCUSSION ONLY	23/05/2015	AJB	JAB
A	DISCUSSION ONLY	20/05/2015	SMT	JAB

Architect
COX RICHARDSON & KENNEDY ASSOCIATES

Client
HOLDMARK
HOLDMARK PROPERTY GROUP
SUITE 2/2-4 GIFFNOCK AVE,
MACQUARIE PARK NSW 2113
PHONE: 02 9889 5540
FAX: 02 9888 5829

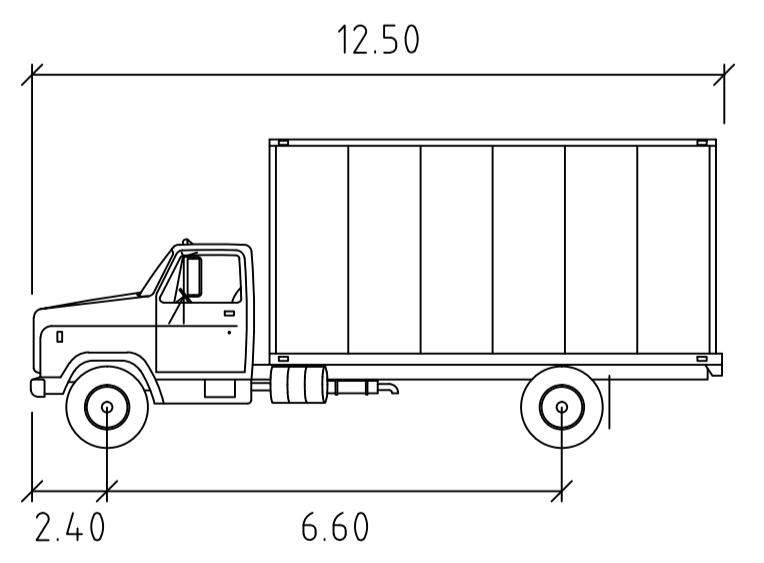
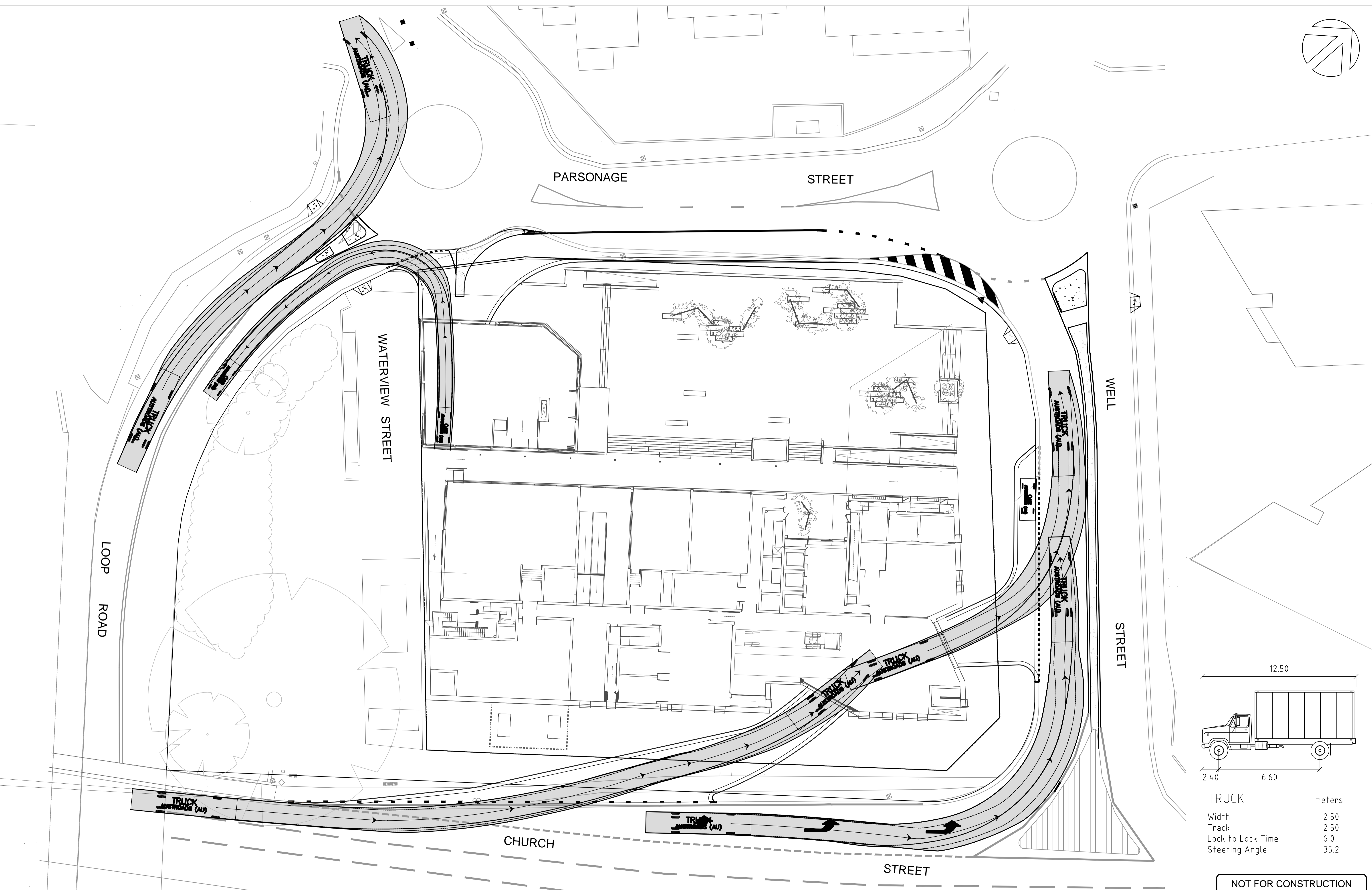
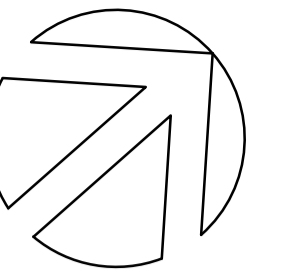


AUSTRALIAN CONSULTING ENGINEERS.
PTY LTD - A.C.N. 084 059 941
SHOP 2-141 CONCORD RD NORTH STRATHFIELD NSW 2157
PH: (02) 9763 1500 FX: (02) 9763 1515
EMAIL: info@aceeng.com.au

Project
**PROPOSED ROAD UPGRADES
8 PARSONAGE STREET
RYDE, NEW SOUTH WALES 2112**

Drawing Title
**GENERAL ARRANGEMENT
LAYOUT PLAN**

Scale	A1	Project No.	Dwg. No.	Issue
1:250		ACE160227.CIV.SK	01	C



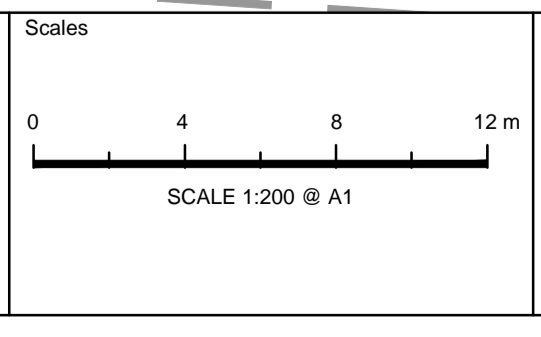
TRUCK	units
Width	: 2.50
Track	: 2.50
Lock to Lock Time	: 6.0
Steering Angle	: 35.2

NOT FOR CONSTRUCTION

Issue	Description	Date	Drawn	Design
C	RMS COMMENTS	12/07/2016	AJB	JAB
B	DISCUSSION ONLY	23/05/2015	AJB	JAB
A	DISCUSSION ONLY	20/05/2015	SMT	JAB

Architect
COX RICHARDSON & KENNEDY ASSOCIATES

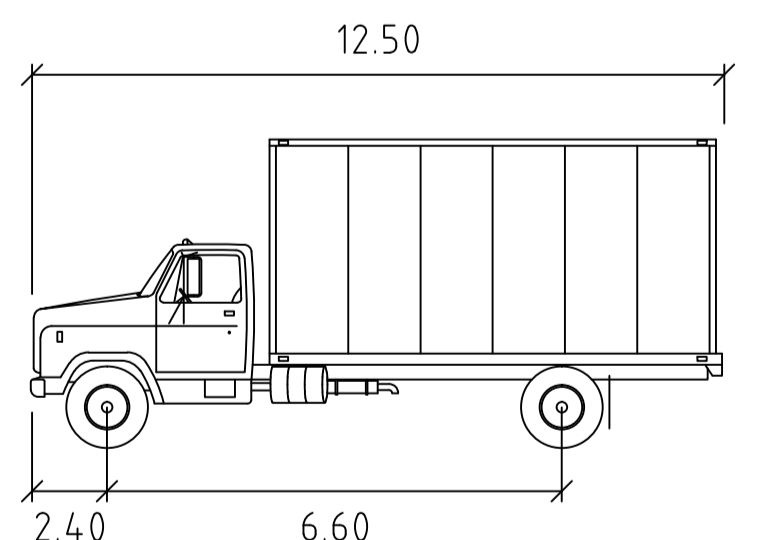
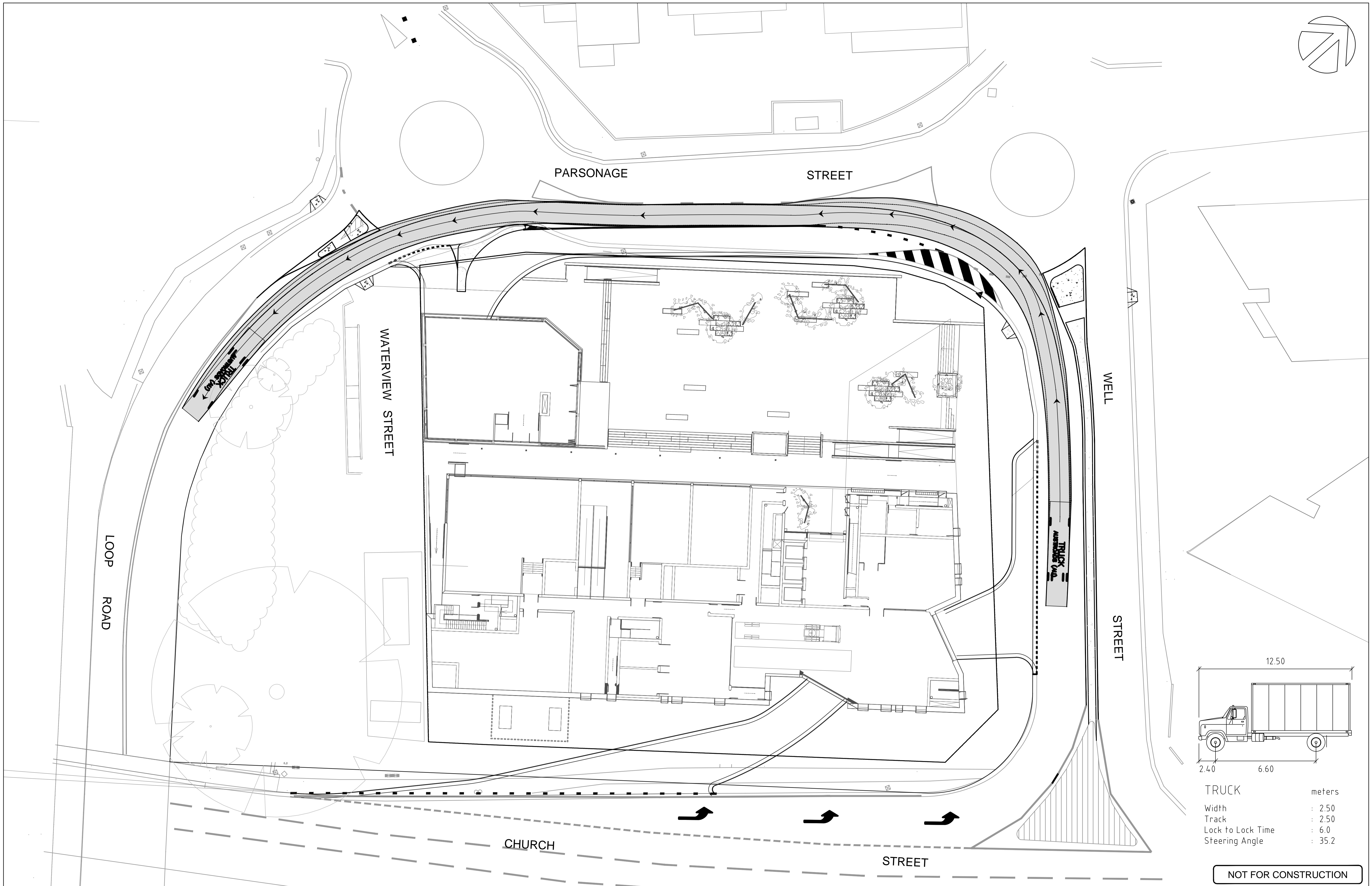
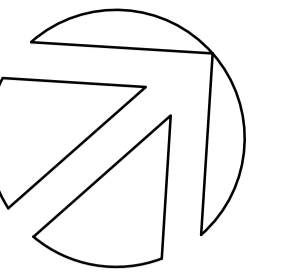
Client
HOLDMARK
 HOLDMARK PROPERTY GROUP
 SUITE 2/2-4 GIFFNOCK AVE,
 MACQUARIE PARK NSW 2113
 PHONE: 02 9889 5540
 FAX: 02 9888 5829



AUSTRALIAN CONSULTING ENGINEERS.
 AUSTRALIAN PTY LTD - A.C.N. 084 059 941
 SHOP 2-141 CONCORD RD NORTH STRATHFIELD NSW 2157
 PH: (02) 9763 1500 FX: (02) 9763 1515
 EMAIL: info@aceeng.com.au

Project
**PROPOSED ROAD UPGRADES
 8 PARSONAGE STREET
 RYDE, NEW SOUTH WALES 2112**

Drawing Title			
VEHICULAR TURNING TURNING MOVEMENTS PLAN SHEET 1 OF 2			
Scale	A1	Project No.	Dwg. No.
1:250		ACE160227.CIV.SK	02
			Issue
			C



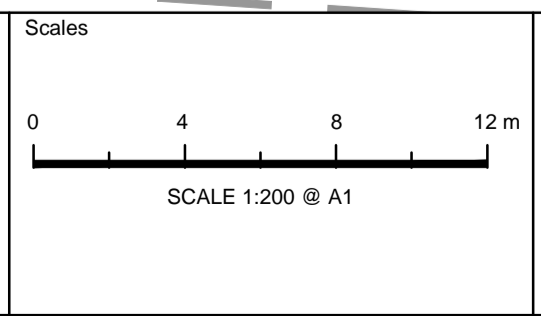
TRUCK		units
Width	: 2.50	meters
Track	: 2.50	
Lock to Lock Time	: 6.0	
Steering Angle	: 35.2	

NOT FOR CONSTRUCTION

Issue	Description	Date	Drawn	Design
C	RMS COMMENTS	12/07/2016	AJB	JAB
B	DISCUSSION ONLY	23/05/2015	AJB	JAB
A	DISCUSSION ONLY	20/05/2015	SMT	JAB

Architect
COX RICHARDSON & KENNEDY ASSOCIATES

Client
HOLDMARK
 HOLDMARK PROPERTY GROUP
 SUITE 2/2-4 GIFFNOCK AVE,
 MACQUARIE PARK NSW 2113
 PHONE: 02 9889 5540
 FAX: 02 9888 5829



AUSTRALIAN CONSULTING ENGINEERS.
 PTY LTD - A.C.N. 084 059 941
 SHOP 2-4/1 CONCORD RD NORTH STRATHFIELD NSW 2157
 PH: (02) 9763 1500 FX: (02) 9763 1515
 EMAIL: info@aceeng.com.au

Project
**PROPOSED ROAD UPGRADES
 8 PARSONAGE STREET
 RYDE, NEW SOUTH WALES 2112**

Drawing Title			
VEHICULAR TURNING TURNING MOVEMENTS PLAN SHEET 2 OF 2			
Scale	A1	Project No.	Dwg. No.
1:250		ACE160227.CIV.SK	03
			Issue
			C